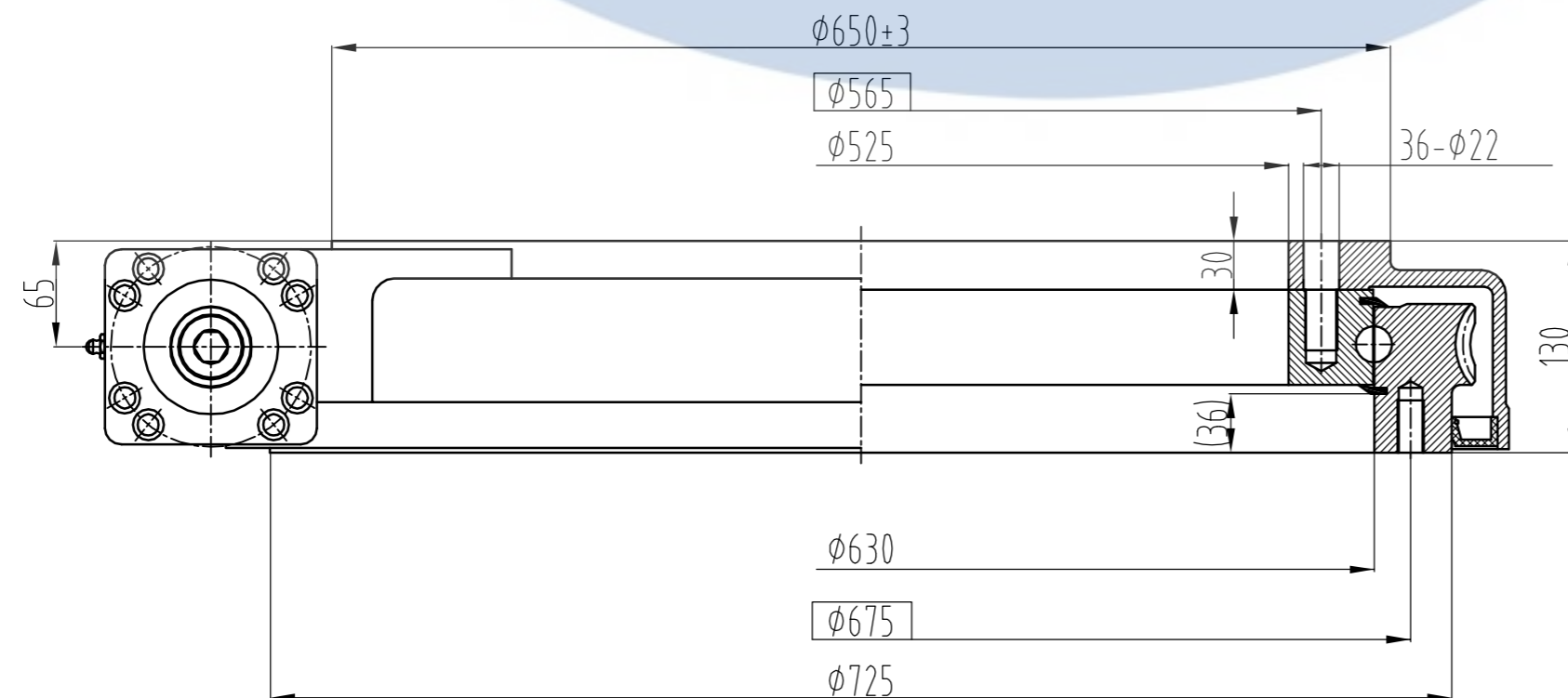
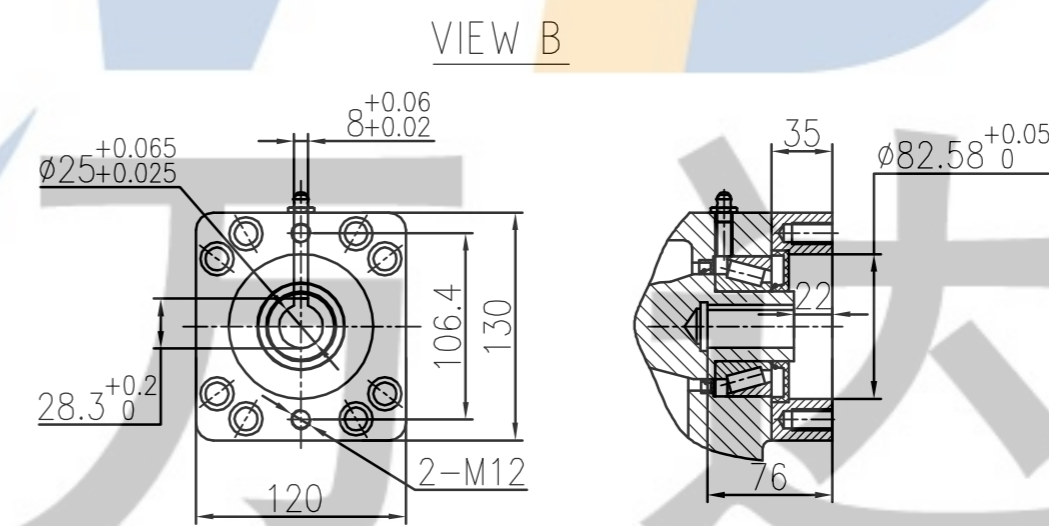
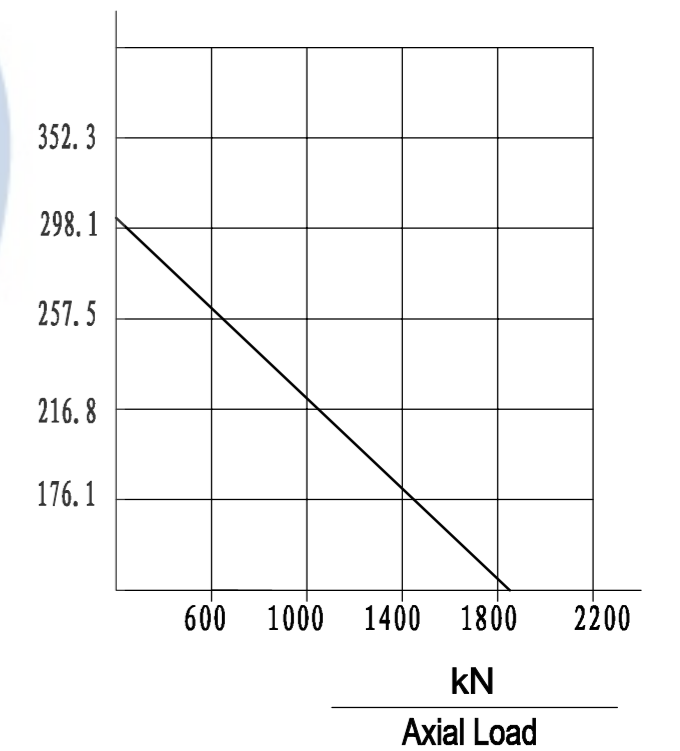


Slewing Drive Performance Data	
Gear Ratio	104:1
Rated Output Torque	34.2kN.m
Tilting Moment Torque	310kN.m
Holding Torque	158.3kN.m
Static Axial Rating	1850kN
Static Radial Rating	690kN
Dynamic Axial Rating	440kN
Dynamic Radial Rating	320kN
Tracking Precision	≤0.1°
Self Locking Gears	YES
Weight	202kg
Rated Output Speed	<1.5 rpm

MOMENT LOAD CHART
Axial Load & Tilting Moment



REV	DATE	REVISER	DESCRIPTION		
DESIGNED BY			Xuzhou Wanda Slewing Bearing Co.,Ltd.		
CHECKED BY			www.slew-bearing.com		
APPROVED BY			Tel: +86-516-83309366 Fax: +86-516-83915766		
ALL PROPRIETARY RIGHTS IN THE SUBJECT MATTER HERE OF ARE RESERVED, AND NO PERMISSION IS GRANTED OR TO DISCLOSE REPRODUCE THIS PRINT IN WHOLE OR IN PART, ANY OF THE INFORMATION TO OTHERS.			WEIGHT	SCALE	SLEWING DRIVE
SYMBOL ISO	SIZE	A3	SHEET	1/1	
					WEA25-104-H-25R
					REV A