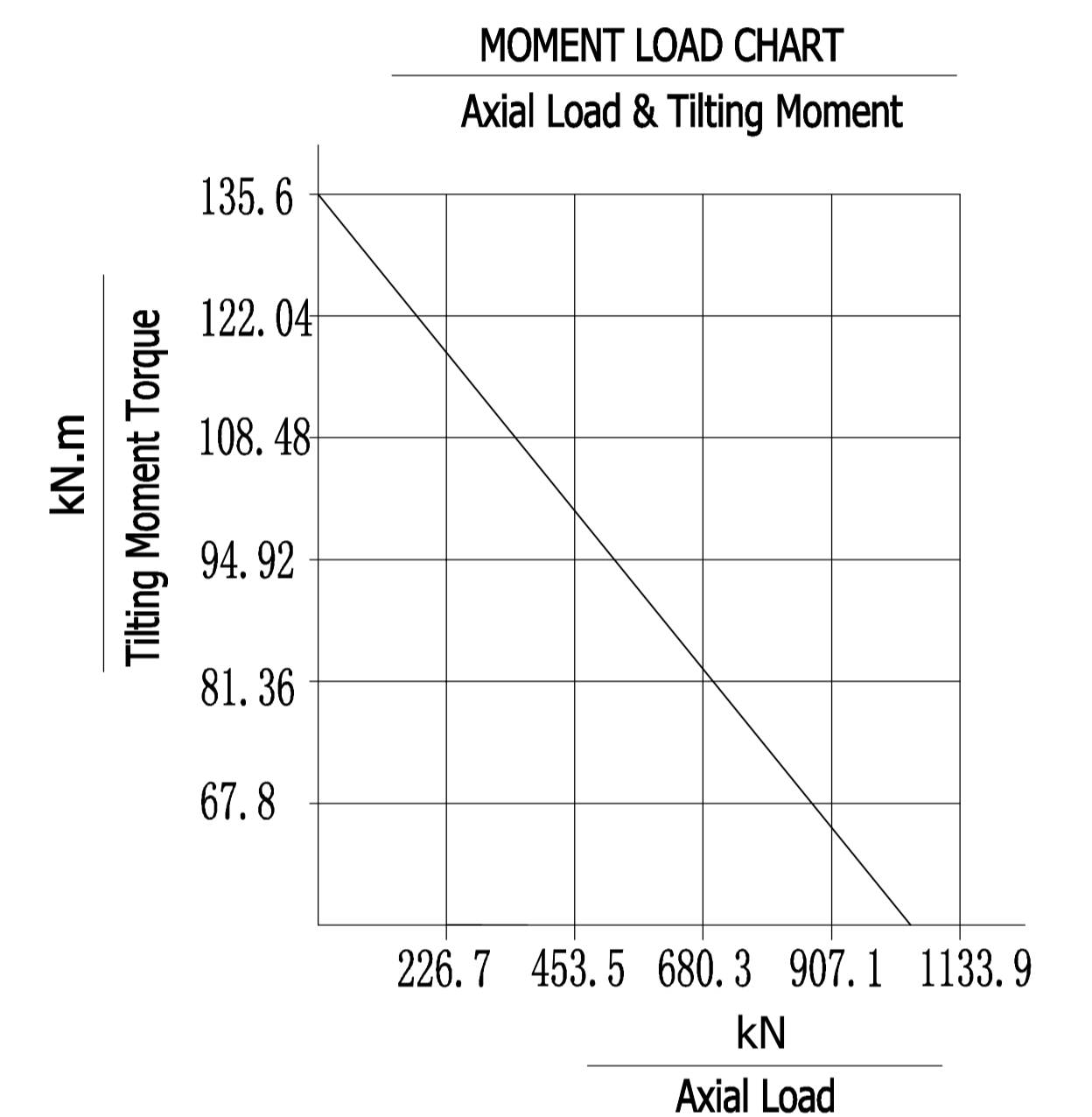
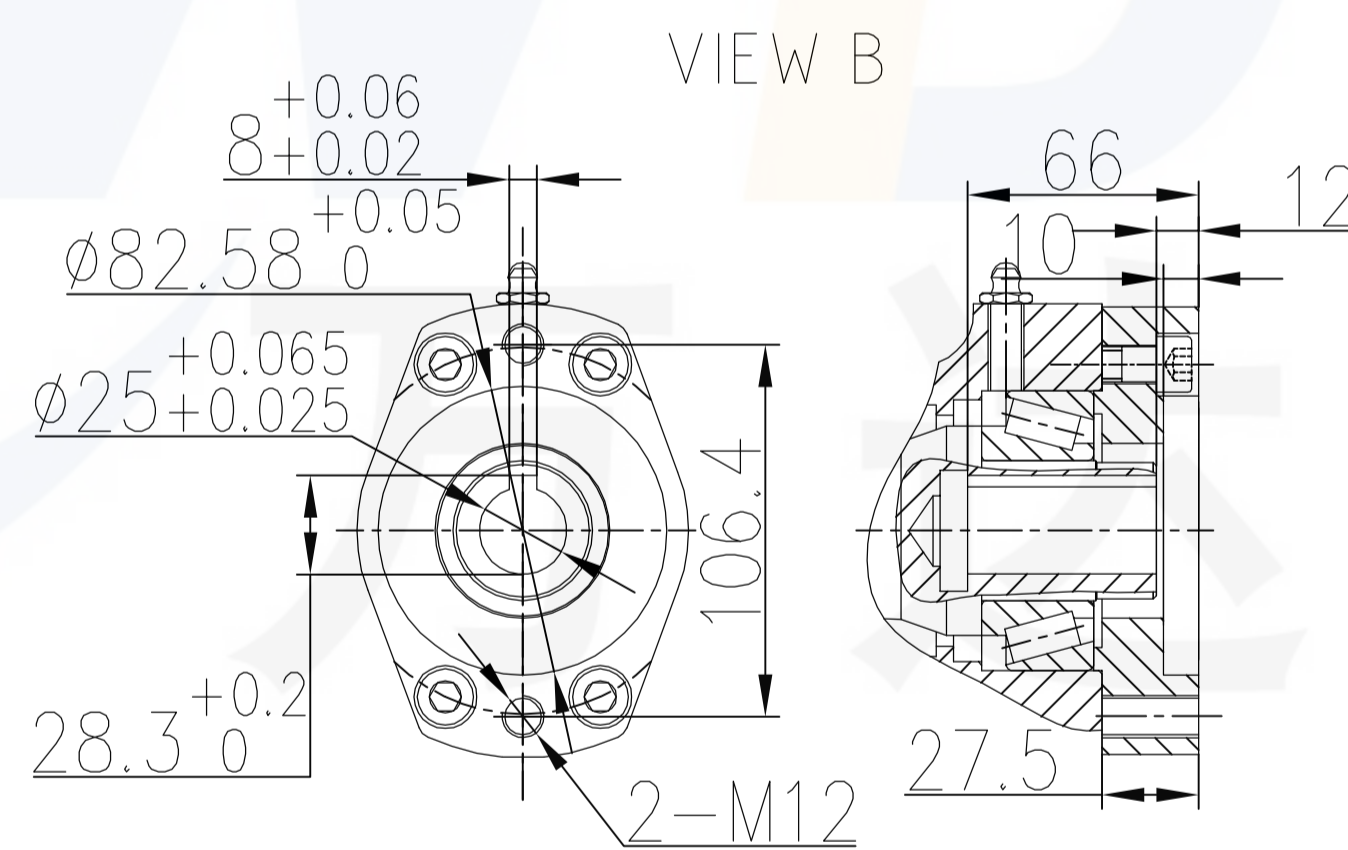
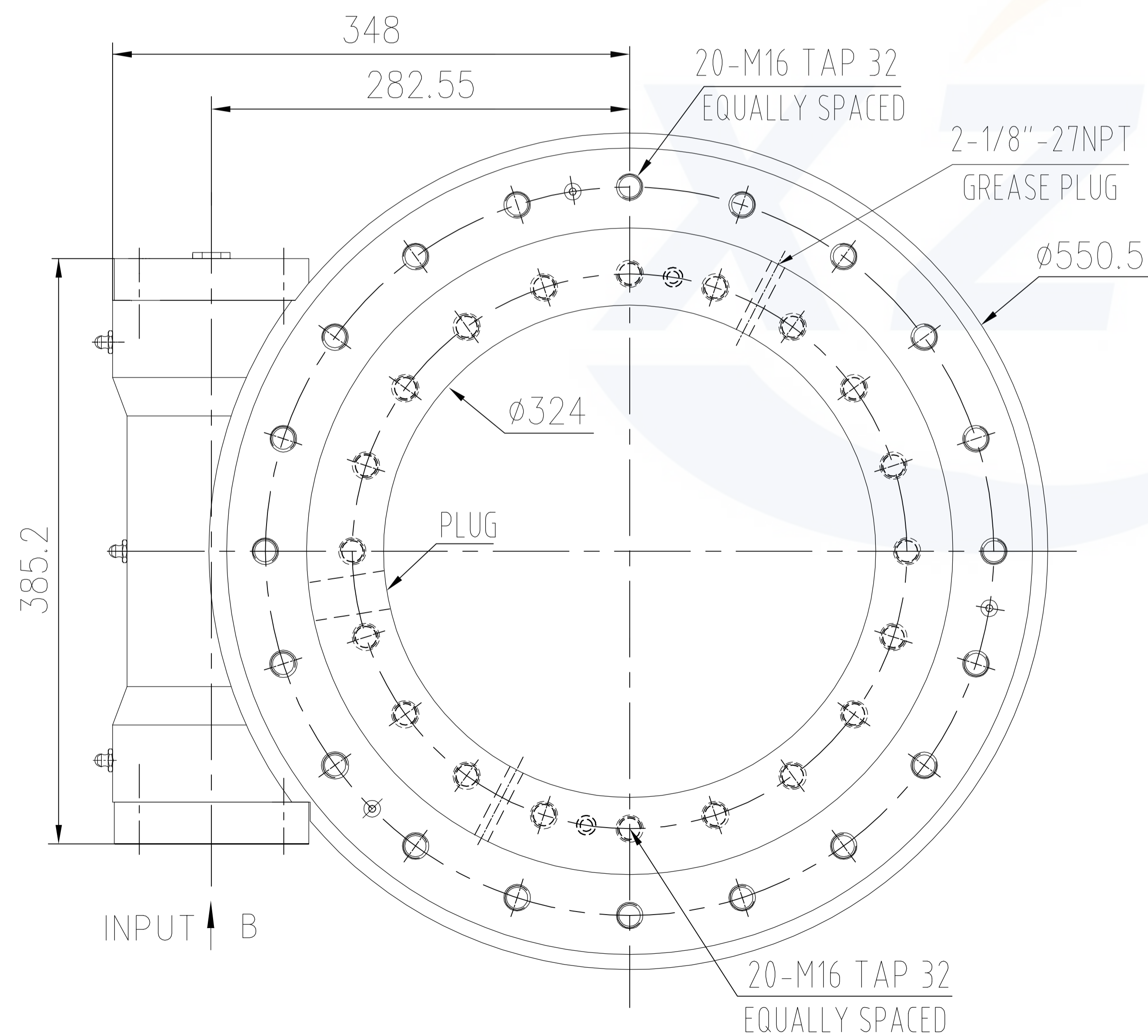


Slewing Drive Performance Data	
Gear Ratio	102:1
Rated Output Speed	<3 rpm
Rated Output Torque	10 kN.m
Tilting Moment Torque	135.6 kN.m
Static Axial Rating	970 kN
Static Radial Rating	390 kN
Dynamic Axial Rating	235 kN
Dynamic Radial Rating	205 kN
Tracking Precision	≤0.15°
Self Locking Gears	Yes
Weight	105 kg



REV	DATE	REVISER	DESCRIPTION				
DESIGNED BY			Xuzhou Wanda Slewing Bearing Co.,Ltd. www.slew-bearing.com Tel: +86-516-83309366 Fax: +86-516-83915766				
CHECKED BY							
APPROVED BY							
ALL PROPRIETARY RIGHTS IN THE SUBJECT MATTER HERE OF ARE RESERVED, AND NO PERMISSION IS GRANTED OR TO DISCLOSE REPRODUCE THIS PRINT IN WHOLE OR IN PART, ANY OF THE INFORMATION TO OTHERS.			WEIGHT	SCALE	SLEWING DRIVE		
SYMBOLE ISO			SIZE	1/1			
			A3	SHEET	1/1	SE17-102-H-25R	REV
							A