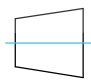
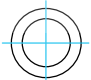


- Notes:
1. Raceway of inner & outer ring induction hardened. hardness: 55~62HRC
Depth ≥ 3.5mm
 2. Inner & outer ring quenched & tempered, hardness: 207~262HB

Gear Data				Design		Check		Model		Weight			
Module	m	12	Gear heat treatment requirements	Date	Approve		 		013.45.1400	480kg			
Teeth no	z	100		HRC		Qty	Size	Axial clearance	0.08~0.45	Name	Slewing Bearing	Qty	Scale
Teeth pressure angle	α	20°	Precision(GB10095-88)	10	Inner ring mounting hole	40	Φ26	Radial clearance	0.08~0.45	Material	50Mn	Total 1 page	The 1st page
Modification coefficients	x	+0.5			Outer ring mounting hole	40	Φ26	machine tolerances without notes ≤200 ≤500 ≤710 ≤1120 ±0.30 ±0.40 ±0.50 ±0.65 ≤1600 ≤2000 ≤2500 ≤3150 ±0.80 ±0.95 ±1.10 ±1.35 ≤4000 ≤5000 ±1.65 ±2.0					
Reduction coefficients	km	2.4			Oil hole	5	M10×1	Technical processing standards without notes according to ...JB/T2300-2011					
Pitch diameter	d	1200			T:Pulg location S:Soft zone Y:Oil hole Z:Lifting hole								
<p style="text-align: center;">XUZHOU WANDA SLEWING BEARING CO.,LTD</p> <p style="text-align: center;">XZWD 万达</p> <p style="text-align: center;">Fax: +86 516 83309366 Fax: +86 516 83915766 http://www.slew-bearing.com</p>													